

SMA-905 Plus Connectors

The SMA-905 connector was one of the first fiber optic interconnect system that gained industry wide acceptance. Today the connector is still widely used for military, industrial, and medical applications.



Our SMA-905 Plus connectors have a threaded coupling nut, both hex and round type, and feature a stainless steel or a high quality zirconia ferrule for superior performance.

Features:

- Threaded nut connector (hex and round)
- TIA and IEC compliant
- Simple termination and assembly
- Stainless Steel and Zirconia ferrules with custom hole sizes

Applications:

- Medical / Surgical
- Laser systems
- Spectrometers
- Industrial
- Military

Specifications:

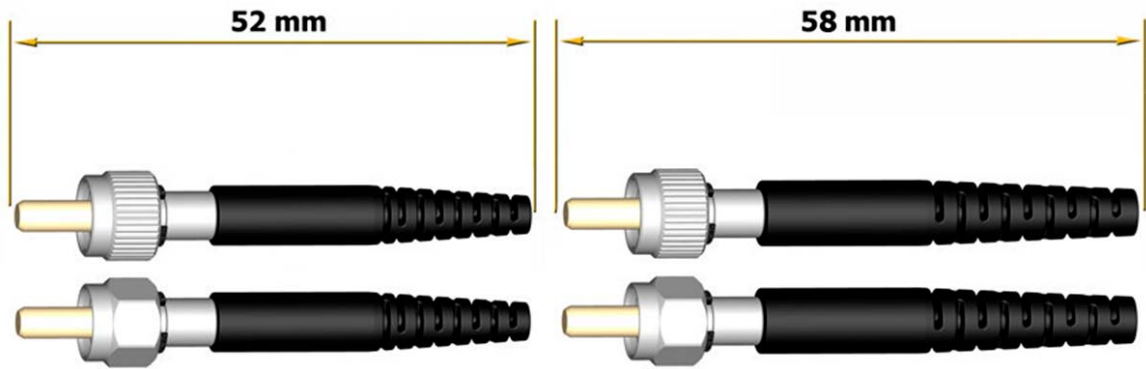
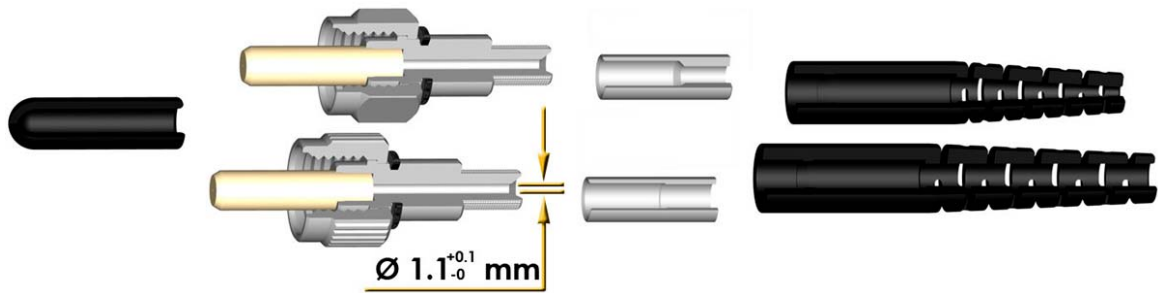
Inserion Loss (SM Fibers)	dB	0.20
Inserion Loss (62.5/125 um Fibers)	dB	0.10
Max Tensile Load of Cable	N	>120
Mating Durability	Cycles	>1000
Operating Temperature	Celsius	-40°C to +85°C

Ordering Information:

Product ID	Nut Type	Ferrule Type	Ferrule ID	Boot Type	Boot Color
504	H	Z	142	A3	1
	H = Hex R = Round	Z = Zirconia S = Stainless	126 um 127 um 142 um 176 um 235 um 300 um 400 um 600 um	A0 = None A1 = 900um A2 = 2 mm A3 = 3 mm	0 = None 1 = Black 2 = Blue 3 = Red

* Ferrule ID's 280um, 460um, 780um, 1000um, and other sizes are available upon request.

SMA-905 Plus Connector for 2mm and 3mm Cables



Overall length with 2mm cable boot

Overall length with 3mm cable boot

All connector components are **RoHS compliant**.
All connector parts are UL94-V0 compliant excluding dust cap UL94-V1