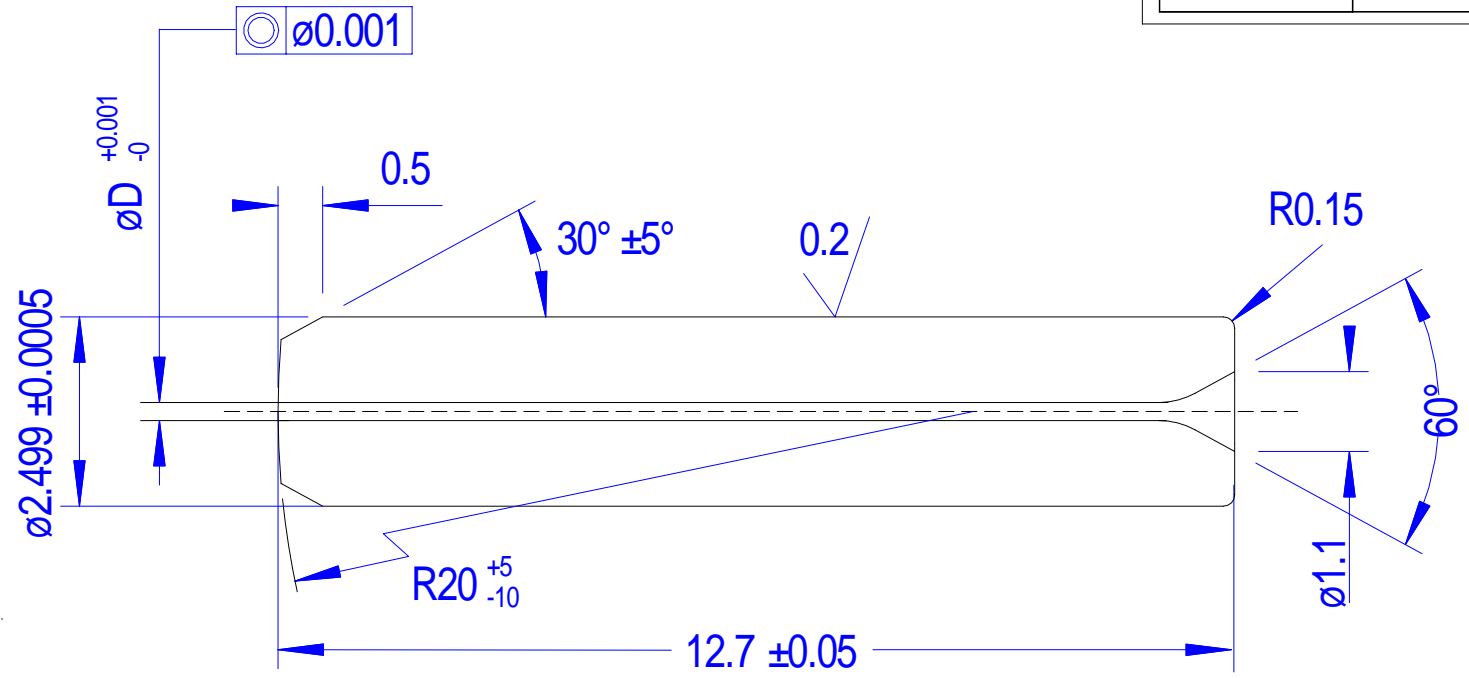


ID Size:	Part Number:
0.1250 mm	FZI-ST-PC-1250
0.1255 mm	FZI-ST-PC-1255
0.1260 mm	FZI-ST-PC-1260



Notes:
1. Free of oils & residues

THIS DRAWING OR SPECIFICATION IS CONFIDENTIAL AND PROPRIETARY TO KIENTEC SYSTEMS, INC. AND MAY NOT BE REPRODUCED, OR DISCLOSED TO OTHERS WITHOUT THE WRITTEN CONSENT OF KIENTEC SYSTEMS, INC.

DIMENSIONS ARE IN MILLIMETERS
.XX ±0.10

MATERIAL: Zirconia (ZrO2)

FINISH:

Kientec Systems, Inc.
Stuart, FL 34994

ST-PC SM FERRULE

SIZE	DRAWN BY: C.A.K	DWG NO.	REV
	DATE: 7/1/09	FZI-ST-PC-XXXX	
SCALE 10:1	SHEET 1 of 1		