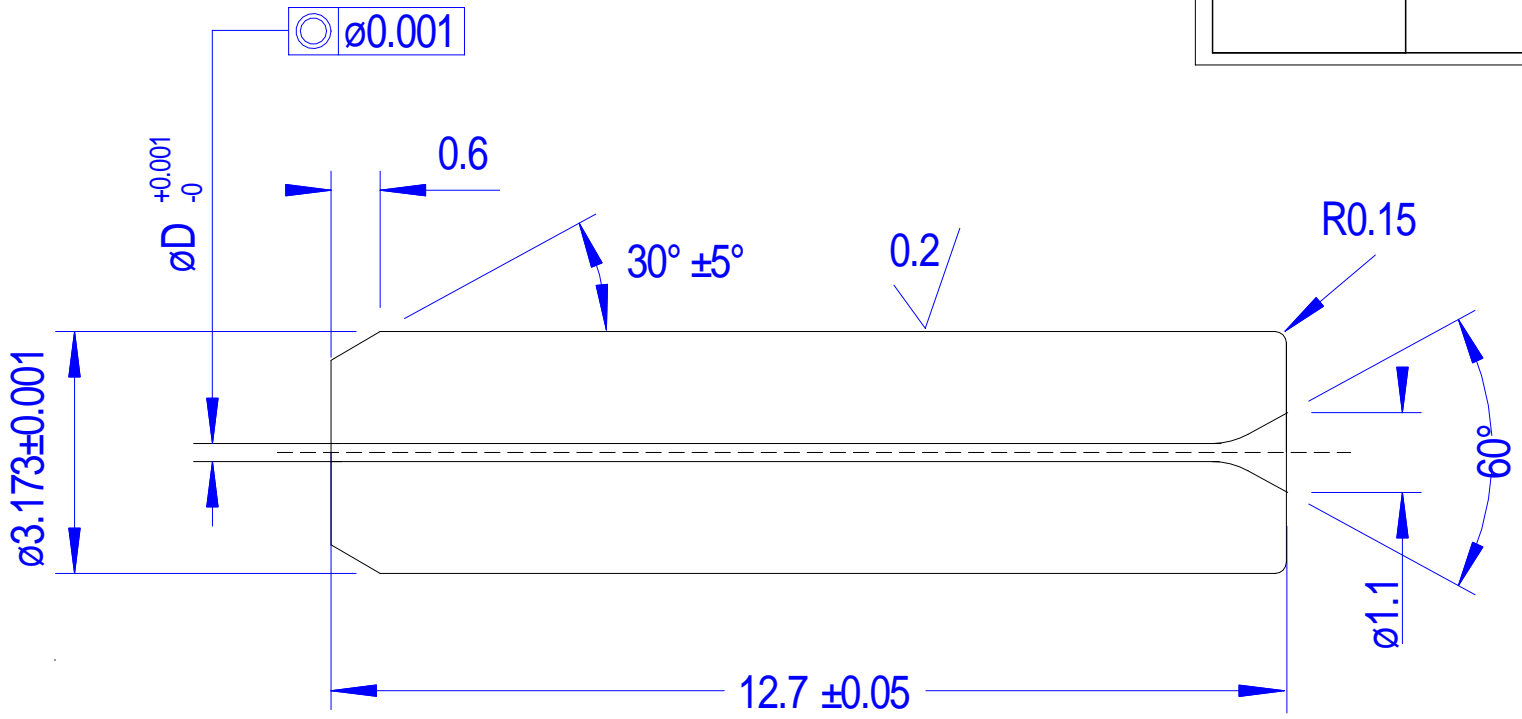


ID Size:	Part Number:
0.1255 mm	FZI-SMA-1255
0.1260 mm	FZI-SMA-1260



THIS DRAWING OR SPECIFICATION IS CONFIDENTIAL AND PROPRIETARY TO KIENTEC SYSTEMS, INC. AND MAY NOT BE REPRODUCED, OR DISCLOSED TO OTHERS WITHOUT THE WRITTEN CONSENT OF KIENTEC SYSTEMS, INC.

DIMENSIONS ARE IN MILLIMETERS
.XX ±0.10

MATERIAL: Zirconia (ZrO2)

FINISH:

Kientec Systems, Inc. Stuart, FL 34994			
SMA SM FERRULE			
SIZE	DRAWN BY: C.A.K	DWG NO. FZI-SMA-XXXX	REV
	DATE: 7/1/09		
SCALE 10:1	SHEET 1 of 1		

Notes:
1. Free of oils & residues