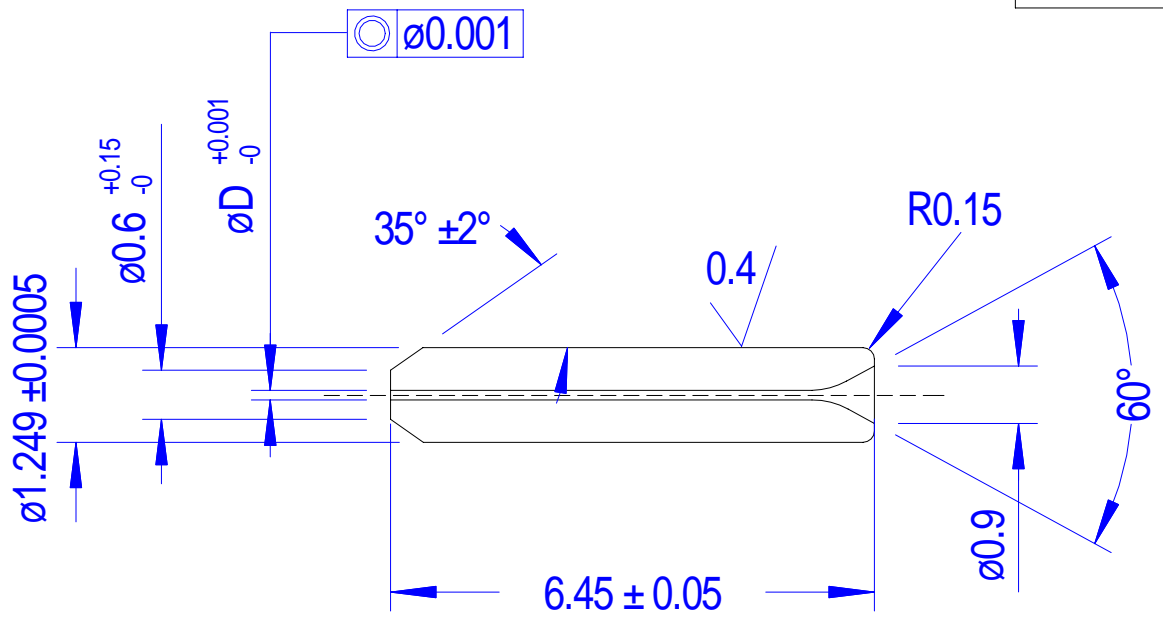


|           |              |
|-----------|--------------|
| ID Size:  | Part Number: |
| 0.1250 mm | FZI-LC-1250  |
| 0.1255 mm | FZI-LC-1255  |
| 0.1260 mm | FZI-LC-1260  |



THIS DRAWING OR SPECIFICATION IS CONFIDENTIAL AND PROPRIETARY TO KIENTEC SYSTEMS, INC. AND MAY NOT BE REPRODUCED, OR DISCLOSED TO OTHERS WITHOUT THE WRITTEN CONSENT OF KIENTEC SYSTEMS, INC.

DIMENSIONS ARE IN MILLIMETERS  
.XX ±0.10

MATERIAL: Zirconia (ZrO2)

FINISH:

**Kientec Systems, Inc.**  
Stuart, FL 34994

**LC SM FERRULE**

|            |                 |                     |     |
|------------|-----------------|---------------------|-----|
| SIZE       | DRAWN BY: C.A.K | DWG NO. FZI-LC-XXXX | REV |
|            | DATE: 7/1/09    |                     |     |
| SCALE 10:1 | SHEET 1 of 1    |                     |     |

Notes:  
1. Free of oils & residues