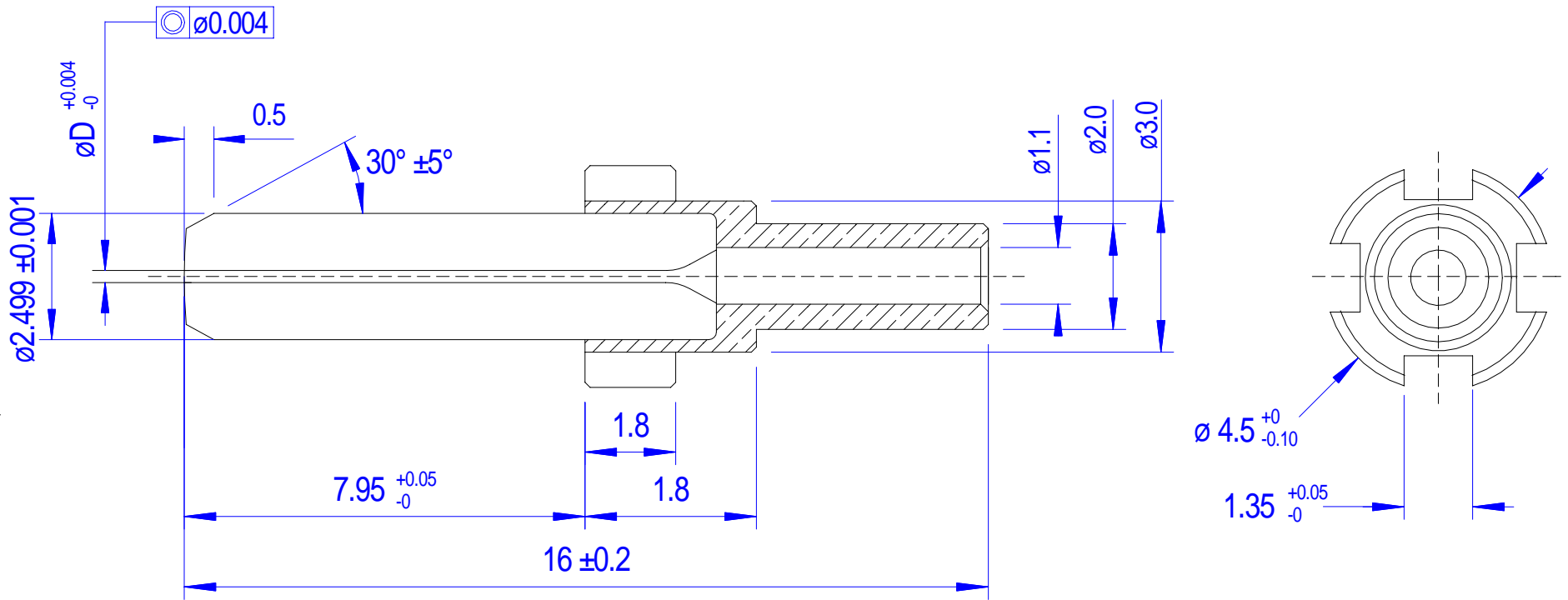


ID Size:	Part Number:
0.126 mm	FAZI-SC-PC-126
0.127 mm	FAZI-SC-PC-127
0.144 mm	FAZI-SC-PC-144



THIS DRAWING OR SPECIFICATION IS CONFIDENTIAL AND PROPRIETARY TO KIENTEC SYSTEMS, INC. AND MAY NOT BE REPRODUCED, OR DISCLOSED TO OTHERS WITHOUT THE WRITTEN CONSENT OF KIENTEC SYSTEMS, INC.

Kientec Systems, Inc.
Stuart, FL 34994

SC MM FERRULE ASSEMBLY

DIMENSIONS ARE IN MILLIMETERS
.XX ± 0.10
Ferrule Material: Zirconia (ZrO₂)
Flange Material: Nickel Plated Brass

SIZE	DRAWN BY: C.A.K	DWG NO. FAZI-SC-PC-XXX	REV
	DATE: 7/1/09		
SCALE		SHEET	1 of 1

Notes:
1. Free of oils & residues