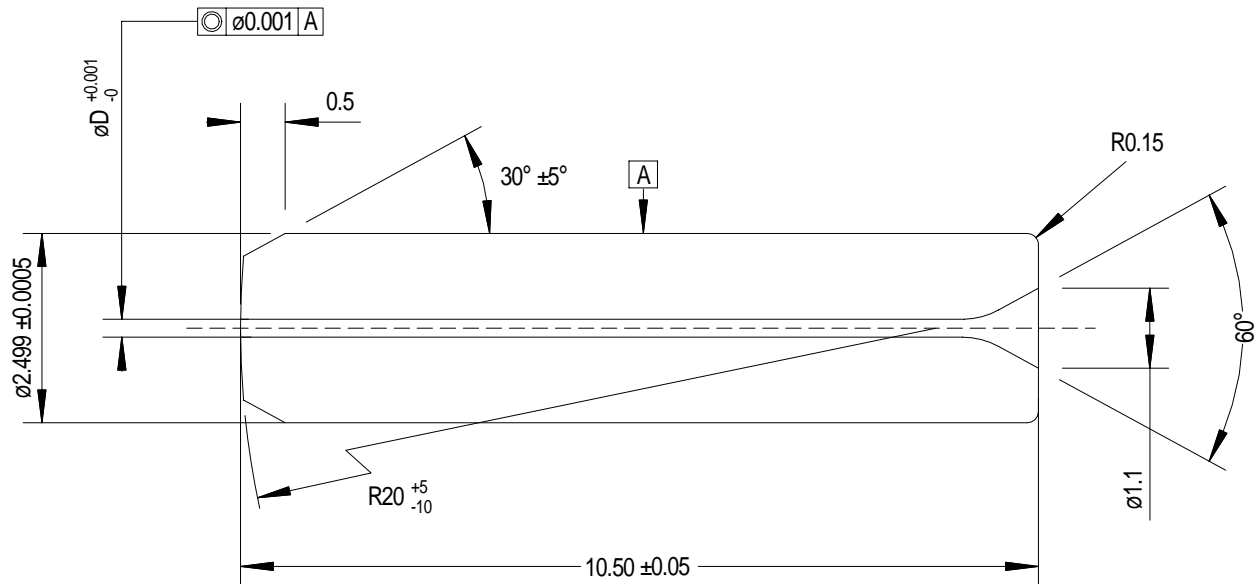


ID Size:	Part Number:
0.125.0 mm	FZI-SC-PC-125
0.125.5 mm	FZI-SC-PC-1255
0.126.0 mm	FZI-SC-PC-126



THIS DRAWING OR SPECIFICATION IS CONFIDENTIAL AND PROPRIETARY TO KIENTEC SYSTEMS, INC. AND MAY NOT BE REPRODUCED, OR DISCLOSED TO OTHERS WITHOUT THE WRITTEN CONSENT OF KIENTEC SYSTEMS, INC.

DIMENSIONS ARE IN MILLIMETERS  
.XX ±0.10

MATERIAL: Zirconia

FINISH:

**Kientec Systems, Inc.**  
Port St Lucie, FL 34953

**SC-PC FERRULE**

SIZE	DRAWN BY: C.A.K	DWG NO.	FZI-SC-PC-125	REV
	DATE: 7/1/09			
SCALE 10:1	SHEET		1 of 1	

Notes:  
1. Free of oils & residues