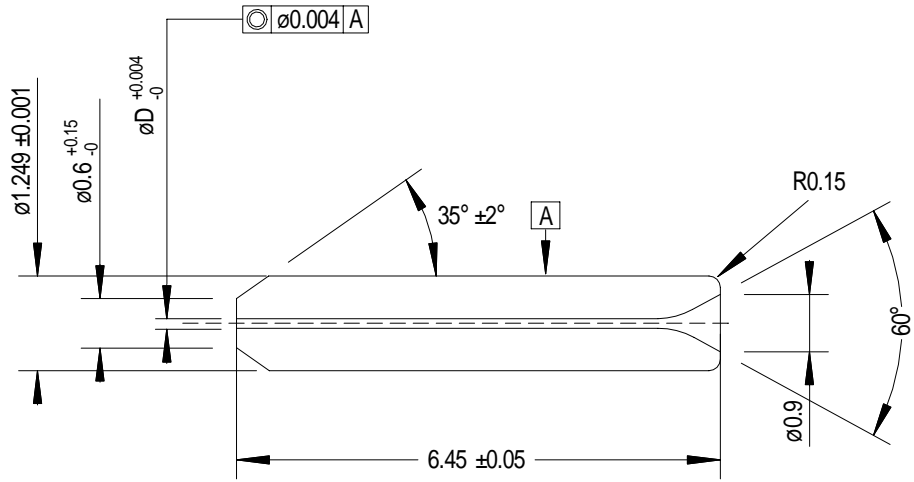


ID Size:	Part Number:
0.126 mm	FZI-LC-126
0.127 mm	FZI-LC-127



THIS DRAWING OR SPECIFICATION IS CONFIDENTIAL AND PROPRIETARY TO KIENTEC SYSTEMS, INC. AND MAY NOT BE REPRODUCED, OR DISCLOSED TO OTHERS WITHOUT THE WRITTEN CONSENT OF KIENTEC SYSTEMS, INC.

Kientec Systems, Inc.
Port St Lucie, FL 34953

LC MM FERRULE

DIMENSIONS ARE IN MILLIMETERS
.XX ± 0.10

SIZE	DRAWN BY: C.A.K	DWG NO. FZI-LC-127	REV
	DATE: 7/1/09		

MATERIAL: Zirconia
FINISH:

SCALE 10:1	SHEET 1 of 1
------------	--------------

Notes:
1. Free of oils & residues