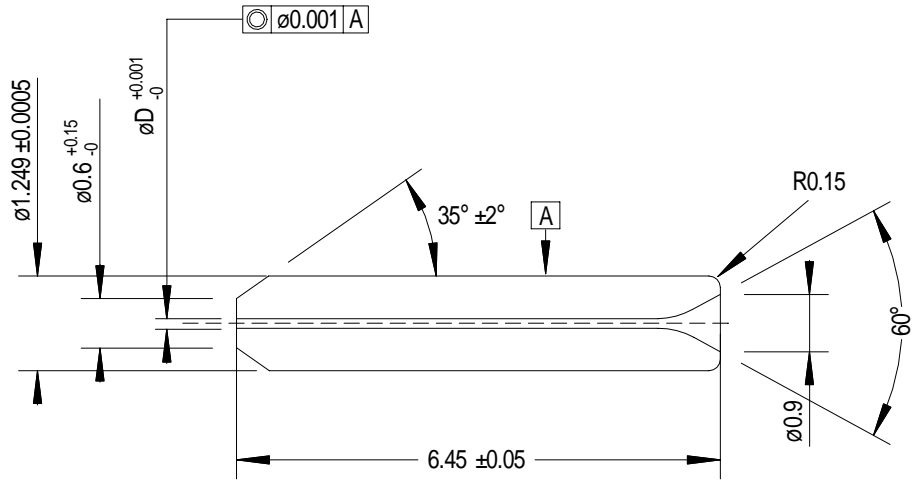


ID Size:	Part Number:
0.125 mm	FZI-LC-125
0.1255 mm	FZI-LC-1255
0.126 mm	FZI-LC-126



THIS DRAWING OR SPECIFICATION IS CONFIDENTIAL AND PROPRIETARY TO KIENTEC SYSTEMS, INC. AND MAY NOT BE REPRODUCED, OR DISCLOSED TO OTHERS WITHOUT THE WRITTEN CONSENT OF KIENTEC SYSTEMS, INC.

DIMENSIONS ARE IN MILLIMETERS
.XX ±0.10

MATERIAL: Zirconia
FINISH:

Kientec Systems, Inc.
Port St Lucie, FL 34953

LC SM FERRULE

SIZE	DRAWN BY: C.A.K	DWG NO. FZI-LC-125	REV
	DATE: 7/1/09		
SCALE 10:1	SHEET 1 of 1		

Notes:
1. Free of oils & residues