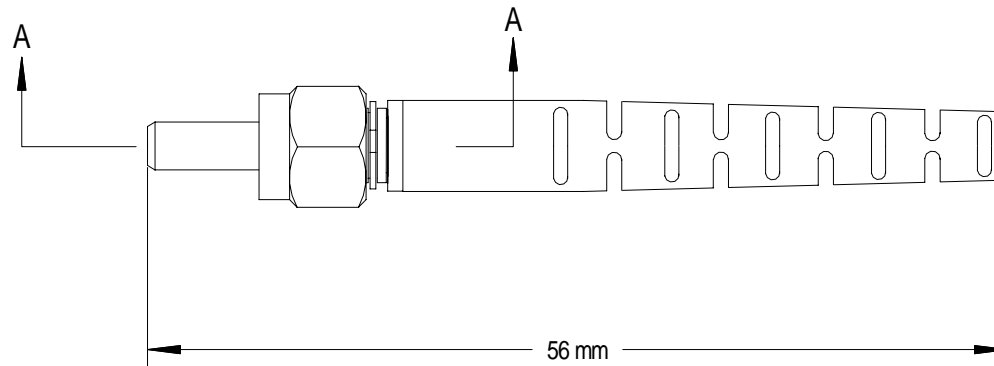


Part Number:	ID (D) / tolerance	Concentricity
905-H-S-127-A31	127um + 5/-0um	10um
905-H-S-230-A31	230um + 10/-0um	10um
905-H-S-235-A31	235um + 10/-0um	10um
905-H-S-340-A31	340um + 10/-0um	10um
905-H-S-450-A31	450um + 10/-0um	10um
905-H-S-670-A31	670um + 10/-0um	10um

- Part number in table are common sizes, example 905-H-S-230-A31  
 - Other ID sizes are available upon request. Specify exact ID size when ordering (available range 127um to 1500um)



Notes:

1. Dimensions are shown in millimeters
2. Connector kit includes Ferrule Body with Nut, Crimp Ring Strain Relief Boot, and Dust Cover
3. Change "H" designator in part number to "R" for Round Nut

THIS DRAWING OR SPECIFICATION IS CONFIDENTIAL AND PROPRIETARY TO KIENTEC SYSTEMS, INC. AND MAY NOT BE REPRODUCED, OR DISCLOSED TO OTHERS WITHOUT THE WRITTEN CONSENT OF KIENTEC SYSTEMS, INC.

List of Materials:	
COMPONENT:	MATERIAL:
1 Ferrule Body	Stainless Steel / Nut: Brass
2 Crimp Ring	Brass
3 Dust Cover	Vinyl, Black
4 Strain Relief	Thermoplastic, Black

Kientec Systems, Inc.

Stuart, FL 34994

# SMA905 CONNECTOR

SIZE	DRAWN BY: C.A.K	DWG NO. 905-H-S-xxx-A31	REV
	DATE: 7/1/09		
SCALE 2:1	SHEET 1 of 1		